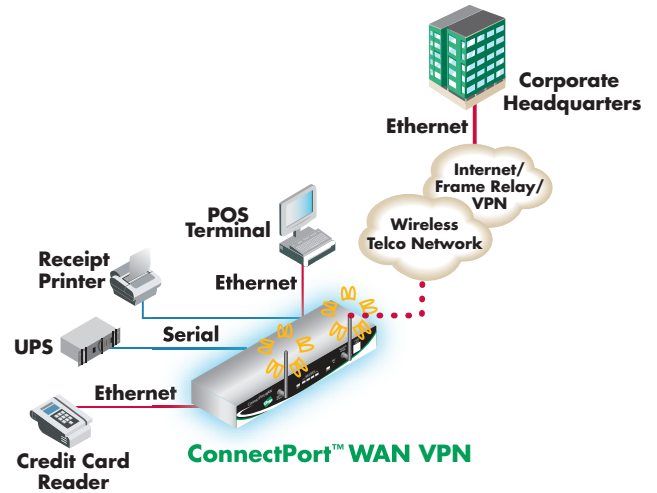


# ConnectPort™ WAN VPN

3G Wireless WAN Router

ConnectPort WAN VPN is a hardened, upgradeable 3G router that provides high performance, secure wireless communications over cellular networks for connecting remote sites and devices.



## Features/Benefits

- High-speed 3G cellular router
- 2 serial ports, 4 Ethernet switch ports, 2 USB ports
- Easily replaceable wireless modules or PCMCIA Cards
- Air support for:
  - GSM GPRS/EDGE/UMTS/HSDPA
  - CDMA 1xRTT/EV-DO
- Integrated VPN support
- Unique Digi SureLink™ “always-on” connection maintains network for rapid airtime on-demand communications
- Acts as backup or alternative to primary wireline networks
- Patented Digi RealPort® COM port redirector
- Web interface for easy centralized configuration and statistics
- Integrates with Digi Connectware® Manager for enterprise management/monitoring of hundreds or thousands of devices

## Overview

The ConnectPort WAN VPN is a hardened, upgradeable 3G cellular router that provides secure high-speed wireless connectivity to remote sites and devices. It can be used for primary wireless broadband network connectivity to equipment at remote locations, as well as for a backup to existing landline communications. The ConnectPort WAN VPN is ideal for use where wired networks (e.g., leased line/frame relay, ISDN, DSL) are not feasible, or where alternative network connections are required.

The flexible design of the ConnectPort WAN VPN ensures easy upgradeability via supported Type 2 PCMCIA Card slots or PCI Express modules. With an upgradeable wireless network platform, customers are able to quickly migrate to future 3G platforms and beyond. ConnectPort WAN VPN also includes two RS-232 serial ports for connecting legacy COM devices and a built-in four-port 10/100 Ethernet switch for connecting additional TCP/IP network devices.

Benefits of the ConnectPort WAN VPN include instant deployment, elimination of wiring costs, elimination of problems due to wire breaks, and the flexibility to move the connection virtually anywhere. Plus, by using the unique Digi SureLink “always-on” feature, users can keep a connection alive via device or server initiated settings.

Applications include utilities, industrial automation, POS/retail, financial (ATMs), traffic, medical, video surveillance and more. For applications requiring secure connections, ConnectPort WAN VPN offers an available integrated IPsec VPN client/server for true end-to-end data protection.

Users can easily configure individual devices using built-in web pages or many devices at once via Digi Connectware Manager, an enterprise remote device management software. Digi Connectware Manager provides easy setup, configuration, reporting and monitoring of large installations. Users can proactively monitor for problem devices including excessive data usage, signal strength problems or even an unplugged cable. It also allows for simple firmware or configuration upgrades to thousands of devices with only a few clicks. A Dynamic DNS server is also integrated for making dynamic IP connections seamless.

Please contact us at 1-800-437-7251 or 952-912-3444 for additional information or to discuss your specific application requirements.

# Features/Specifications

## FEATURES

- Network protocols: UDP/TCP, DHCP
- Status LEDs: Ethernet, power on, cellular link/activity, signal strength (4 bars)
- RealPort COM port redirector and RFC2217
- Security - SSL, SSHv2, FIPS 197 (serial port)

### Router/Firewall Features

- NAT
- Port forwarding
- Access control lists (IP filtering)
- IP pass-through

### VPN Features

- IPsec with IKE/ISAKMP
- Multiple tunnel support
- DES, 3DES and up to 256-bit AES Encryption
- VPN pass-through, GRE

### Management

- HTTP/HTTPS, CLI or Telnet
- Optional secure enterprise management via Digi Connectware Manager

## INTERFACES

### Serial

- 2 RS-232 DB-9M serial ports
- Throughput up to 230 Kbps
- Full signal support for TXD, RXD, RTS, CTS, DTR, DSR and DCD
- Hardware and software flow control

### Upgradeable Interfaces

- PCI Express
- 16/32-bit Type 2 PCMCIA Card slot

## INTERFACES (CONTINUED)

### USB

- 2 USB Type A connectors

### Ethernet

- 4 RJ-45 switch ports
- Standard: IEEE 802.3
- Physical Layer: 10/100Base-T
- Data rate: 10/100 Mbps (auto-sensing)
- Mode: full or half duplex (auto-sensing)

### Antennas

- 2 external 50 Ohm female SMA connectors

### Supported Air Interfaces

- Sierra Wireless 5725 Rev A EV-DO PCI-Express Module - Sprint/Verizon
  - DualBand 800/900 MHz with RX Diversity
- Sierra Wireless 8775 3.6 HSDPA PCI Express Module
  - UMTS/HSDPA 850/1900/2100 MHz, GSM GPRS/EDGE 850/950/1800/1900 MHz
- Sierra Wireless Aircard UMTS/HSDPA PCMCIA Card
  - 875 - Worldwide Carriers
  - 860 - North American Carriers
  - 850 - European Carriers

## REGULATORY APPROVALS

- Safety: UL 60950, CSA 22.2 No. 60950, EN60950
- Emissions/Immunity: CE, FCC Part 15 (Class A), AS/NZS CISPR 22, EN55024, EN55022, Class A
- Mobile Certifications - CDMA/EV-DO: CDG, TIA/EIA-690, TIA/EIA-98-E
- Mobile Certifications - GSM/UMTS: PTCRB, NAPRD.03, GCF-CC, R&TTE, EN 301 511

## POWER REQUIREMENTS

- Power input: 9-30VDC
- 12VDC power supply for 0° C to 60° C (32° F to 140° F) with locking barrel connector included; extended temperature available
- Power consumption: Idle: 3.1 W, Max: 11.5 W
- Surge protection (with included power supply): 4 kV burst (EFT) per-4-4, 2 kV surge per EN61000-4

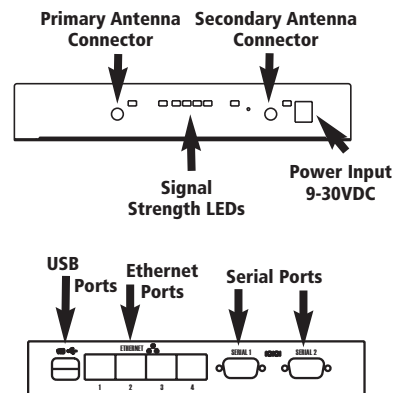
## ENVIRONMENTAL

- Operating temperature: -30° C to 60° C (-22° F to 140° F)
- Relative humidity: 5% to 95% (non-condensing)
- Ethernet isolation: 1500VAC min per IEEE802.3/ANSI X3.263
- Serial port protection (ESD): +15 kV Air Gap and +8 kV contact discharge per IEC 1000-4-2

## MODEL.....PART NUMBERS

Model	North America	International
ConnectPort WAN VPN (Intended for PC cards; no PC card included)	CP-WAN-A300	CP-WAN-A300-W
ConnectPort WAN VPN (Intended for PCI Express modules; no modules included)	CP-WAN-B300	CP-WAN-B300-W
ConnectPort WAN VPN HSDPA (Cingular/ATT) (Embedded 3.6 HSDPA PCI Express 8775 module)	CP-WAN-B302	CP-WAN-B309-W
ConnectPort WAN VPN EV-DO Rev A (Sprint) (Embedded PCI Express Sprint 5725 module)	CP-WAN-B310	N/A
ConnectPort WAN VPN EV-DO Rev A (Verizon Wireless) (Embedded PCI Express Verizon 5725 module)	CP-WAN-B311	N/A
ConnectPort WAN VPN HSDPA (Generic) (Embedded HSDPA PCI Express 8775 module)	CP-WAN-B301	CP-WAN-B301-W

Antennas sold separately. See [www.digi.com](http://www.digi.com) for antennas and accessories.



**DIGI SERVICE AND SUPPORT** - You can purchase with confidence knowing that Digi is here to support you with expert technical support and a strong five-year warranty. [www.digi.com/support](http://www.digi.com/support)

**WHEN RELIABILITY MATTERS™**

### Digi International

11001 Bren Road E.  
Minnetonka, MN 55343  
U.S.A.  
PH: 877-912-3444  
952-912-3444  
FX: 952-912-4952  
email: [info@digi.com](mailto:info@digi.com)

### Digi International France

31 rue des Poissonniers  
92200 Neuilly sur Seine  
PH: +33-1-55-61-98-98  
FX: +33-1-55-61-98-99  
[www.digi.fr](http://www.digi.fr)

### Digi International KK

NES Building South 8F  
22-14 Sakuragaoka-cho,  
Shibuya-ku  
Tokyo 150-0031, Japan  
PH: +81-3-5428-0261  
FX: +81-3-5428-0262  
[www.digi-intl.co.jp](http://www.digi-intl.co.jp)

### Digi International (HK) Limited

Suite 1703-05, 17/F,  
K Wah Centre  
191 Java Road  
North Point, Hong Kong  
PH: +852-2833-1008  
FX: +852-2572-9989  
[www.digi.cn](http://www.digi.cn)

Digi International, the leader in device networking for business, develops reliable products and technologies to connect and securely manage local or remote electronic devices over the network or via the web. With over 20 million ports shipped worldwide since 1985, Digi offers the highest levels of performance, flexibility and quality.

[www.digi.com](http://www.digi.com)

© 2005-2007 Digi International Inc.

Digi, Digi International, the Digi logo, the When Reliability Matters logo, ConnectPort, Digi Connectware, Digi SureLink and RealPort are trademarks or registered trademarks of Digi International Inc. in the United States and other countries worldwide. All other trademarks are the property of their respective owners.

91001355  
A8/507

